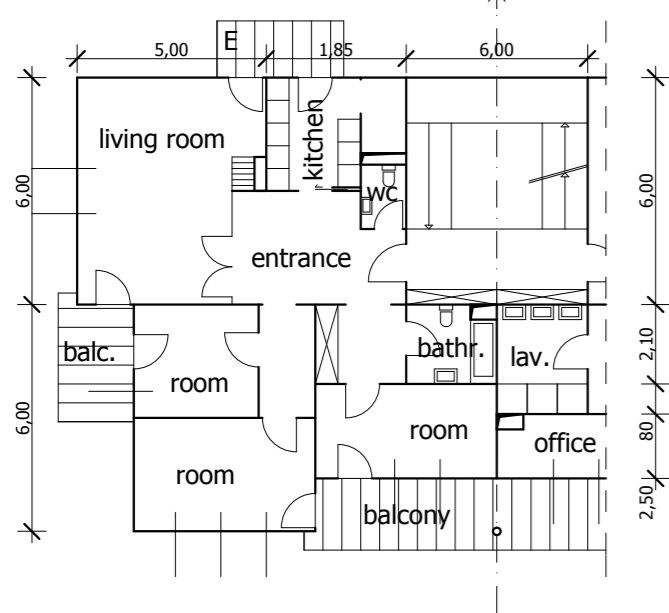
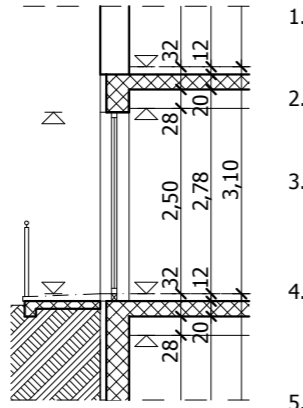


Layout S~1:200

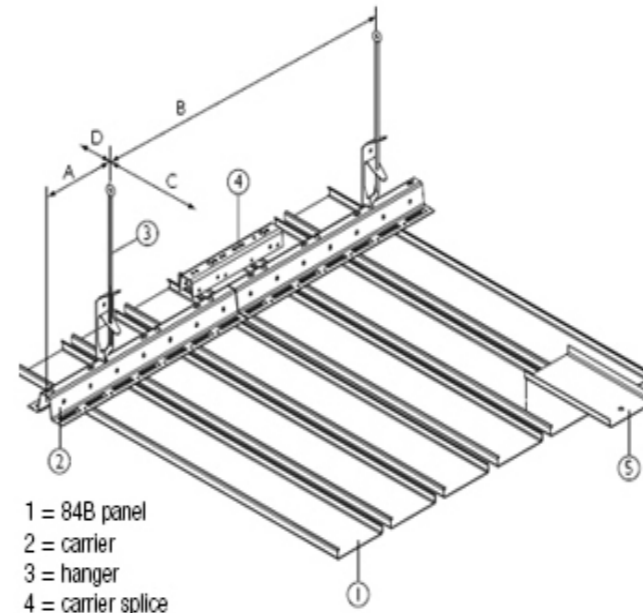


Section S=1:100

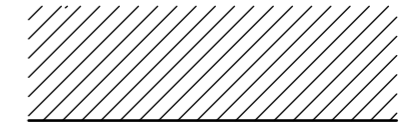


SUSPENDED CEILINGS

The method of desing:

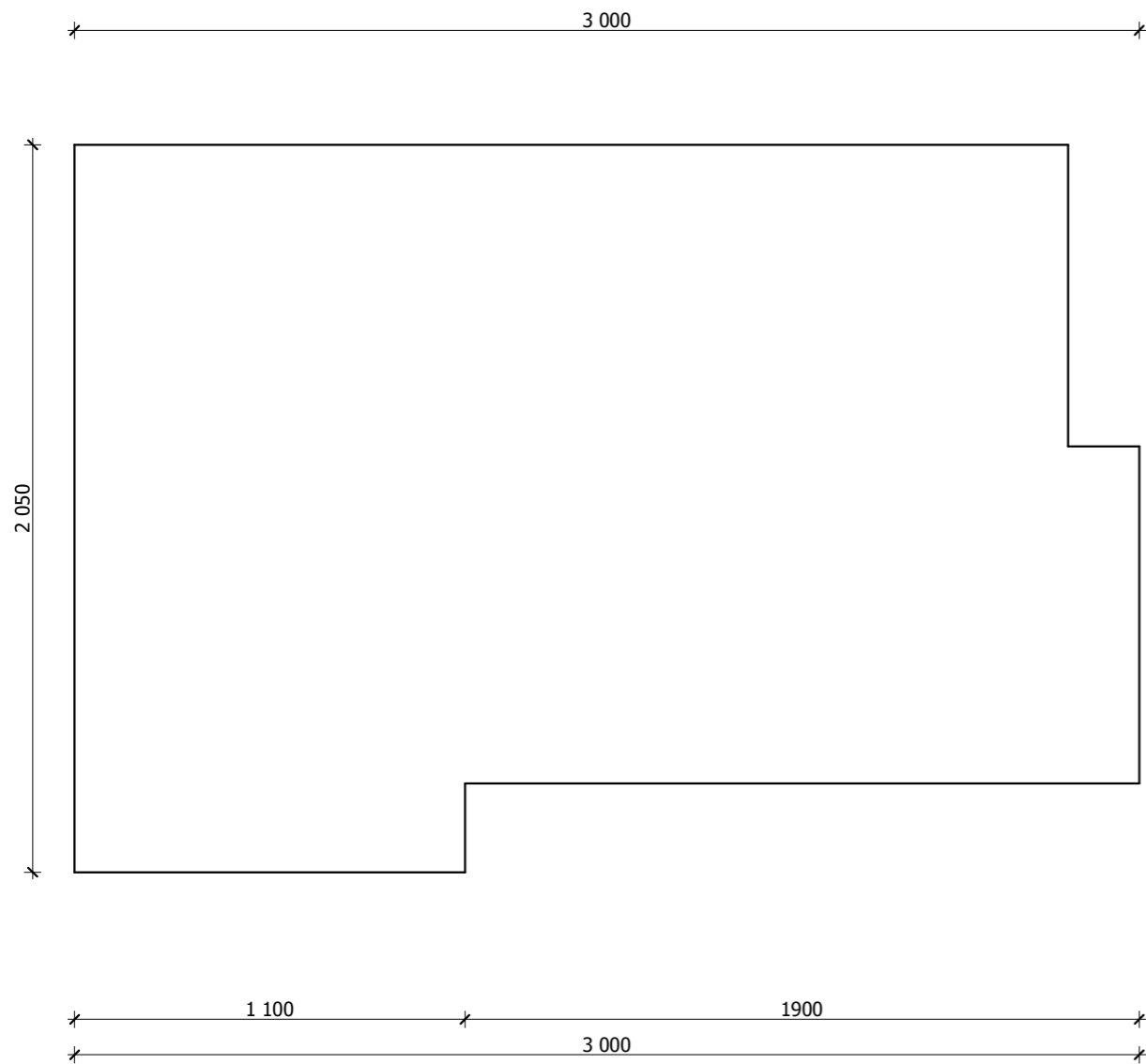


- 1 = 84B panel
- 2 = carrier
- 3 = hanger
- 4 = carrier splice
- 5 = panel splice

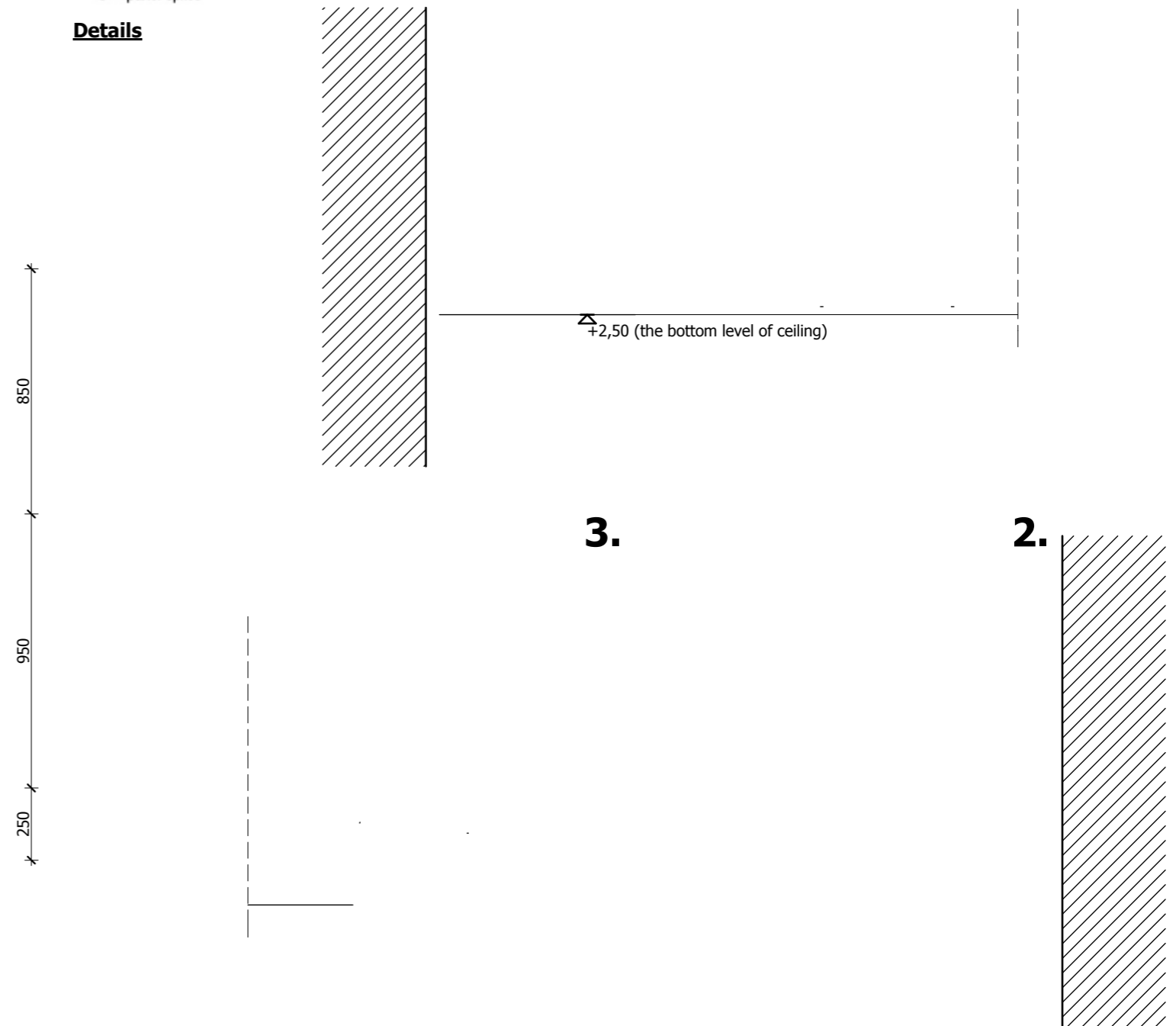


1.

Metal, linear ceiling S = 1:20



Details



3.

2.